



TECHNICAL ZOOM

- HIGHER ENERGY CLASS FOR HIGH SAVINGS, EVEN AT -20°C
- ECO MODE FOR 20% ENERGY SAVING
- WEEKLY TIMER, 42 SETTINGS PER WEEK
- ULTRA COMPACT OUTDOOR UNITS WHICH ARE EASY TO INSTALL
- 30 M MAXIMUM ELEVATION DIFFERENCE
- EASY CHECK MODE FOR FAILURE DETECTION

CEILING // INVERTER + FS TYPE

A complete line up of compact, efficient, quieter and powerful Ceiling, for the most demanding customers, from 2.5 H.P. to 6.0 H.P., Single-phase and three-phase



OPTIONAL

CEILING // INVERTER + FS TYPE

		2.5 H.P.	3.0 H.P.	4.0 H.P.	4.0 H.P.	5.0 H.P.	5.0 H.P.	6.0 H.P.
KIT		KIT-F24DTE5	KIT-F28DTE5	KIT-F34DTE5	KIT-F34DTE8	KIT-F43DTE5	KIT-F43DTE8	KIT-F50DTE8
Indoor		CS-F24DTE5	CS-F28DTE5	CS-F34DTE5	CS-F34DTE5	CS-F43DTE5	CS-F43DTE5	CS-F50DTE5
Outdoor		CU-L24DBE5	CU-L28DBE5	CU-L34DBE5	CU-L34DBE8	CU-L43DBE5	CU-L43DBE8	CU-L50DBE8
Wireless control	Included with kit	CZ-RL513T	CZ-RL513T	CZ-RL513T	CZ-RL513T	CZ-RL513T	CZ-RL513T	CZ-RL513T
Wired remote control	Optional	CZ-RD513C	CZ-RD513C	CZ-RD513C	CZ-RD513C	CZ-RD513C	CZ-RD513C	CZ-RD513C
Cooling capacity	Nominal (Min-Max)	kW 6.30 (2.00-6.50)	7.10 (2.10-7.50)	10.00 (4.00-12.00)	10.00 (4.00-12.00)	12.50 (4.00-13.50)	12.50 (4.00-13.50)	14.00 (4.00-16.00)
	Nominal (Min-Max)	kCal/h 5,418 (1,720-5,590)	6,106 (1806-6450)	8,600 (3,440-10,320)	8,600 (3,440-10,320)	10,750 (3,440-11,610)	10,750 (3,440-11,610)	12,040 (3,440-13,760)
EER ¹⁾	Nominal (Min-Max)	3.21 (3.64-2.83) A	2.91 (3.23-3.06) C	3.33 (3.20-3.53) A	3.33 (3.20-3.53) A	3.01 (3.08-3.14) C	3.01 (3.08-3.14) C	2.91 (2.96-3.14) C
Power input Cooling	Nominal (Min-Max)	kW 1.96 (0.55-2.30)	2.44 (0.65-2.45)	3.00 (1.25-3.40)	3.00 (1.25-3.40)	4.15 (1.3-4.30)	4.15 (1.3-4.30)	4.81 (1.35-5.10)
Heating capacity	Nominal (Min-Max)	kW 7.10 (2.10-7.50)	8.00 (2.20-8.50)	11.20 (4.00-13.50)	11.20 (4.00-13.50)	14.00 (4.00-15.50)	14.00 (4.00-15.50)	16.0 (4.00-18.00)
	Nominal (Min-Max)	kCal/h 6,106 (1,806-6,450)	6,880 (1,892-7,310)	9,632 (3,440-11,610)	9,632 (3,440-11,610)	12,040 (3,440-13,330)	12,040 (3,440-13,330)	13,760 (3,440-15,480)
COP ¹⁾	Nominal (Min-Max)	3.21 (3.82-2.38) C	3.02 (3.38-2.62) D	3.41 (3.20-3.21) B	3.41 (3.20-3.21) B	3.50 (3.20-3.10) B	3.50 (3.20-3.10) B	3.41 (3.08-3.00) B
Power input Heating	Nominal (Min-Max)	kW 2.21 (0.55-3.15)	2.65 (0.65-3.25)	3.28 (1.25-4.20)	3.28 (1.25-4.20)	4.00 (1.25-5.00)	4.00 (1.25-5.00)	4.69 (1.30-6.00)
Annual Energy Consumption ²⁾		kWh 980	1,220	1,500	1,500	2,075	2,075	2,405
Indoor unit								
Air Volume	Cooling / Heating	m ³ /h 1,020 / 1,020	1,080 / 1,080	1,740 / 1,740	1,740 / 1,740	1,860 / 1,860	1,860 / 1,860	1,920 / 1,920
Moisture removal volume		l/h 3.6	4.2	6.0	6.0	7.9	7.9	9.0
Sound pressure Level ³⁾	Cooling (Hi / Lo)	dB(A) 43 / 39	45 / 41	47 / 43	47 / 43	49 / 45	49 / 45	50 / 46
	Heating (Hi / Lo)	dB(A) 43 / 39	45 / 41	47 / 43	47 / 43	49 / 45	49 / 45	50 / 46
Sound power Level	Cooling (Hi)	dB 60	62	64	64	66	66	67
	Heating (Hi)	dB 60	62	64	64	66	66	67
Dimensions	Indoor (H x W x D)	mm 210 x 1,245 x 700	210 x 1,245 x 700	250 x 1,600 x 700	250 x 1,600 x 700	250 x 1,600 x 700	250 x 1,600 x 700	250 x 1,600 x 700
Net weight	Indoor	Kg 33	33	43	43	47	47	47
Dust filter		Yes	Yes	Yes	Yes	Yes	Yes	Yes
Antiallergic filter	Optional	CZ-SA12P	CZ-SA12P	CZ-SA12P	CZ-SA12P	CZ-SA12P	CZ-SA12P	CZ-SA12P
Outdoor unit								
Power source	V	220 - 240	220 - 240	220 - 240	380 - 415	220 - 240	380 - 415	380 - 415
Connection	mm ²	4 x 1'5 to 2'5	4 x 1'5 to 2'5	4 x 1'5 to 2'5	4 x 1'5 to 2'5	4 x 1'5 to 2'5	4 x 1'5 to 2'5	4 x 1'5 to 2'5
Current Cooling	Nominal (Min / Max)	A 8.9	11.1	13.0	4.7	18.8	6.5	7.4
Current Heating	Nominal (Min / Max)	A 10.0	12.0	14.9	5.2	18.2	6.3	7.2
Air Volume	Cooling / Heating	m ³ /h 2,880 / 2,880	2,880 / 2,880	5,880 / 5,880	5,880 / 5,880	5,880 / 5,880	5,880 / 5,880	5,880 / 5,880
Sound pressure Level ³⁾	Cooling (Hi)	dB(A) 47	48	52	52	53	53	54
	Heating (Hi)	dB(A) 49	50	54	54	55	55	56
Sound power Level	Cooling (Hi)	dB 63	64	66	66	67	67	68
	Heating (Hi)	dB 65	66	68	68	69	69	70
Dimensions	H x W x D	mm 795 x 900 x 320	795 x 900 x 320	1,340 x 900 x 320	1,340 x 900 x 320	1,340 x 900 x 320	1,340 x 900 x 320	1,340 x 900x 320
Net weight	Kg	71	71	110	110	110	110	105
Piping connections	Liquid pipe	inch (mm) 3/8" (9.52)	3/8" (9.52)	3/8" (9.52)	3/8" (9.52)	3/8" (9.52)	3/8" (9.52)	3/8" (9.52)
	Gas pipe	inch (mm) 5/8" (15.88)	5/8" (15.88)	5/8" (15.88)	5/8" (15.88)	5/8" (15.88)	5/8" (15.88)	5/8" (15.88)
Refrigerant Loading	R410A	Kg 2.13	2.35	3.3	3.3	3.3	3.3	3.5
Elevation difference (in/out) ⁴⁾	Max	m 30	30	30	30	30	30	30
Piping length	Min - Max	m 7.5 - 50	7.5 - 50	7.5 - 50	7.5 - 50	7.5 - 50	7.5 - 50	7.5 - 50
Piping length without refrigerent increase	Max	m 30	30	30	30	30	30	30
Additional gas	g/m	50	50	50	50	50	50	50
Operating range ³⁾	Cooling Min / Max	°C -5 / 43	-5 / 43	-5 / 43	-5 / 43	-5 / 43	-5 / 43	-5 / 43
	Heating Min / Max	°C -20 / 24	-20 / 24	-20 / 24	-20 / 24	-20 / 24	-20 / 24	-20 / 24

GLOBAL REMARKS	Rating conditions	
	Inside air temperature	Cooling 27°C DB / 19°C WB Heating 20°C DB
	Outside air temperature	Cooling 35°C DB / 24°C WB Heating 7°C DB / 6°C WB

DB: Dry bulb, WB: Wet bulb

- 1) EER, Energy Saving Classification, is at 220 - 240V (380 - 415V) only in accordance with EU directive 2002/31/EC.
- 2) The annual consumption is calculated by multiplying the input power at 220 - 240V (380 - 415V) by an average of 500-hr per year in cooling mode.
- 3) The sound pressure Level of the units shows the value measured of a position 1 meter in front of the main body and 1,5 from the ground. The sound pressure is measured in accordance with Eurovent 6/C/006-97 specification.
- 4) When installing the outdoor unit at a higher position than the indoor unit.



CZ-RL513T



CZ-RD513C



CU-L24DBE5
CU-L28DBE5



CU-L34DBE5 CU-L43DBE8
CU-L34DBE8 CU-L50DBE8
CU-L43DBE5

**KIT-F24DTE5 // KIT-F28DTE5 // KIT-F34DTE5 // KIT-F34DTE8 //
KIT-F43DTE5 // KIT-F43DTE8 // KIT-F50DTE8**

HEALTHY AIR

- Anti-Mould long life air filter
- CZ-SA12P Allergo-buster antiallergic filter (optional)

ENERGY EFFICIENCY AND ECOLOGY

- Maximum efficiency Inverter system
- R410A environmentally friendly refrigerant gas

COMFORT

- Cooling with low outdoor temperatures (down to -20 °C)
- Automatic start after a power cut
- Automatic fan operation mode
- Soft dry operation mode
- Automatic air deflector system
- Hot start mode
- Super wide air outlet (100 degrees horizontally)

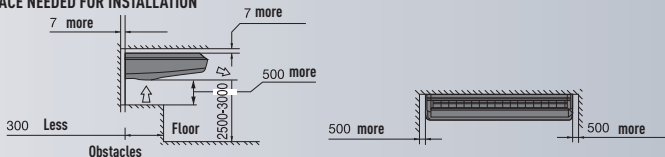
EASE OF USE

- Weekly On/Off timer (6 settings per day and 42 per week)
- Infrared remote control
- Wired remote control optional

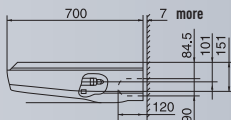
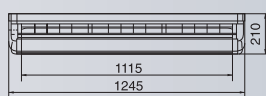
EASY INSTALLATION AND MAINTENANCE

- Installation using existing pipes
- Self-diagnostic function
- Condensation control

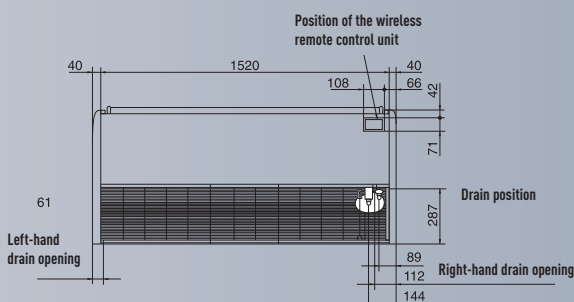
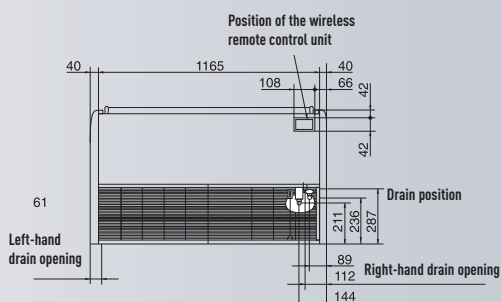
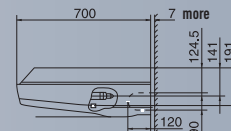
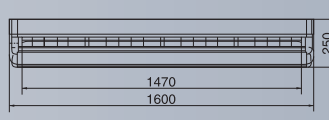
SPACE NEEDED FOR INSTALLATION



INDOOR UNIT DIMENSIONS CS-F24DTE5 // CS-F28DTE5



INDOOR UNIT DIMENSIONS CS-F34DTE5 // CS-F43DTE5 // CS-F50DTE5



TECHNICAL ZOOM

- ULTRA COMPACT OUTDOOR UNITS (-40% REDUCED SIZE FOR THE CU-YL34HBE5)
- ECO MODE FOR 20% ENERGY SAVING
- WEEKLY TIMER, 42 SETTINGS PER WEEK
- 25 M MAXIMUM ELEVATION DIFFERENCE
- COOLING WITH LOW OUTDOOR TEMPERATURES (DOWN TO -20 °C)
- EASY CHECK MODE FOR FAILURE DETECTION

CEILING // INVERTER FS TYPE

Compact line up of inverter Ceiling, from 2.5 H.P. to 5.0 H.P., Single-phase



OPTIONAL

CEILING // INVERTER FS TYPE

		2.5 H.P.		3.0 H.P.		4.0 H.P.		5.0 H.P.	
KIT		KIT-YH24DTE5		KIT-YH28DTE5		KIT-YH34DTE5		KIT-YH43DTE5	
Indoor		CS-F24DTE5		CS-F28DTE5		CS-F34DTE5		CS-F43DTE5	
Outdoor		CU-YL24HBE5		CU-YL28HBE5		CU-YL34HBE5		CU-YL43HBE5	
Wireless control		Included with kit CZ-RL513T		CZ-RL513T		CZ-RL513T		CZ-RL513T	
Wired remote control		Optional CZ-RL513C		CZ-RL513C		CZ-RL513C		CZ-RL513C	
Cooling capacity	Nominal (Min - Max)	kW	5.60 (2 - 6.30)	7.10 (2.10 - 7.50)	10.00 (3.8 - 10.50)	12.50 (3.80 - 13.00)			
	Nominal (Min - Max)	kCal/h	4,816 (1,720 - 5,418)	6,106 (1,806 - 6,450)	8,600 (3,268 - 9,030)	10,750 (3,268 - 11,180)			
EER ¹⁾	Nominal (Min - Max)		2.81 (3.03 - 2.68) C	2.81 (3.00 - 2.78) C	2.61 (2.92 - 2.56) D	3.81 (2.92 - 2.77) C			
Power input Cooling	Nominal (Min - Max)	kW	1.99 (0.66 - 2.35)	2.53 (0.70 - 2.70)	3.83 (1.30 - 4.10)	4.45 (1.30 - 4.70)			
Heating capacity	Nominal (Min - Max)	kW	7.00 (2.10 - 7.50)	8.00 (2.20 - 8.30)	11.20 (3.80 - 12.50)	14.00 (3.80 - 14.50)			
	Nominal (Min - Max)	kCal/h	6,020 (1,806 - 6,450)	6,880 (1,892 - 7,138)	9,632 (3,268 - 10,750)	12,040 (3,268 - 12,470)			
COP ¹⁾	Nominal (Min - Max)		2.81 (3.82 - 2.54) D	2.81 (3.38 - 2.55) D	3.21 (3.30 - 2.98) C	3.31 (3.39 - 2.90) C			
Power input Heating	Nominal (Min - Max)	kW	2.49 (0.55 - 2.95)	2.855 (0.65 - 3.25)	3.49 (1.15 - 4.20)	4.23 (1.12 - 5.00)			
Annual Energy Consumption ²⁾		kWh	995	1,265	1,915	2,225			
Indoor unit									
Air Volume	Cooling / Heating	m ³ /h	1,020 / 1,020	1,080 / 1,080	1,740 / 1,740	1,860 / 1,860			
Moisture removal volume		l/h	3.20	4.20	6.00	7.90			
Sound pressure Level ³⁾	Cooling (Hi / Lo)	dB(A)	43 / 39	45 / 41	47 / 43	49 / 45			
	Heating (Hi / Lo)	dB(A)	43 / 39	45 / 41	47 / 43	49 / 45			
Sound power Level	Cooling (Hi)	dB	60	62	64	66			
	Heating (Hi)	dB	60	62	64	66			
Dimensions	Indoor (H x W x D)	mm	210 x 1,245 x 700	210 x 1,245 x 700	210 x 1,600 x 700	210 x 1,600 x 700			
Net weight	Indoor	Kg	33	33	43	47			
Dust filter		Yes	Yes	Yes	Yes	Yes			
Antiallergic filter	Optional	CZ-SA12P	CZ-SA12P	CZ-SA12P	CZ-SA12P	CZ-SA12P			
Outdoor unit									
Power source		V	220 - 240	220 - 240	220 - 240	220 - 240			
Connection		mm ²	4 x 1.5 to 2.5	4 x 1.5 to 2.5	4 x 1.5 to 2.5	4 x 1.5 to 2.5			
Current Cooling	Nominal (Min / Max)	A	8.9	11.3	17.5	20.3			
Current Heating	Nominal (Min / Max)	A	11.2	12.8	16	19.4			
Air Volume	Cooling / Heating	m ³ /h	3,180	3,480	3,720	5,640			
Sound pressure Level ³⁾	Cooling (Hi)	dB(A)	49	50	53	54			
	Heating (Hi)	dB(A)	51	52	56	56			
Sound power Level	Cooling (Hi)	dB	60	62	64	66			
	Heating (Hi)	dB	60	62	64	66			
Dimensions	H x W x D	mm	795 x 875+70 ⁴⁾ x 320	795 x 875+70 ⁴⁾ x 320	795 x 900 x 320	1,170 x 900 x 320			
Net weight		Kg	65	65	66	94			
Piping connections	Liquid pipe	inch (mm)	3/8" (9.52)	3/8" (9.52)	3/8" (9.52)	3/8" (9.52)			
	Gas pipe	inch (mm)	5/8" (15.88)	5/8" (15.88)	5/8" (15.88)	5/8" (15.88)			
Refrigerant Loading	R410A	Kg	1.63	2.05	2.8	2.8			
Elevation difference (in/out) ⁵⁾	Max	m	25	25	30	30			
Piping length	Min - Max	m	7.5 - 30	7.5 - 30	7.5 - 50	7.5 - 50			
Piping length without refrigerent increase	Max	m	30	30	30	30			
Additional gas		g/m	50	50	50	50			
Operating range ³⁾	Cooling Min / Max	°C	-5 / 43	-5 / 44	-5 / 45	-5 / 46			
	Heating Min / Max	°C	-15 / 24	-15 / 25	-15 / 26	-15 / 27			

GLOBAL REMARKS	Rating conditions	
	Cooling	Heating
	Inside air temperature	27°C DB / 19°C WB
Outside air temperature	35°C DB / 24°C WB	7°C DB / 6°C WB

DB: Dry bulb, WB: Wet bulb

- 1) EER and COP, Energy Saving Classification, is at 220 - 240V (380 - 415V) only in accordance with EU directive 2002/31/EC.
- 2) The annual consumption is calculated by multiplying the input power at 220 - 240V (380 - 415V) by an average of 500-hr per year in cooling mode.
- 3) The sound pressure Level of the units shows the value measured of a position 1 meter in front of the main body and 1.5 from the ground. The sound pressure is measured in accordance with Eurovent 6/C/006-97 specification.
- 4) Add 70mm for piping port.
- 5) When installing the outdoor unit at a higher position than the indoor unit.



KIT-YH24DTE5 // KIT-YH28DTE5 // KIT-YH34DTE5 // KIT-YH43DTE5

HEALTHY AIR

- Anti-Mould long life air filter
- CZ-SA12P Allergo-buster antiallergic filter (optional)

ENERGY EFFICIENCY AND ECOLOGY

- Inverter system
- R410A environmentally friendly refrigerant gas

COMFORT

- Cooling with low outdoor temperatures (down to -15 °C)
- Automatic start after a power cut
- Automatic fan operation mode
- Soft dry operation mode
- Automatic air deflector system
- Hot start mode
- Super wide air outlet (100 degrees horizontally)

EASE OF USE

- Weekly On/Off timer (6 settings per day and 42 per week)
- Infrared remote control
- Optional wired remote control

EASY INSTALLATION AND MAINTENANCE

- Installation using existing pipes (only for YL*HBE5 units)
- Self-diagnostic function
- Condensation control



CZ-RL513T



CZ-RD513C



CU-YL24HBE5
CU-YL28HBE5



CU-YL34HBE5

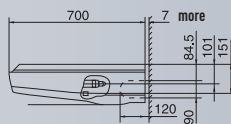
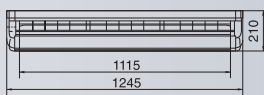


CU-YL43HBE5

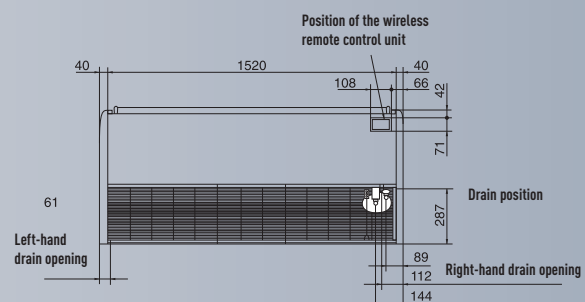
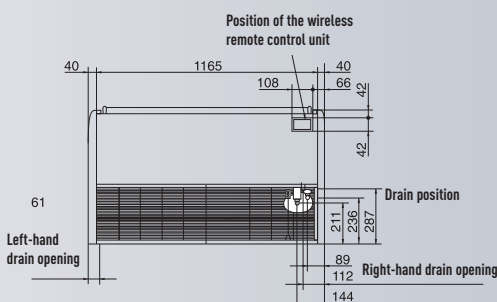
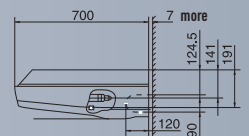
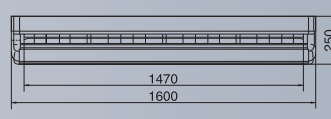
SPACE NEEDED FOR INSTALLATION



INDOOR UNIT DIMENSIONS CS-F24DTE5 // CS-F28DTE5



INDOOR UNIT DIMENSIONS CS-F34DTE5 // CS-F43DTE5



TECHNICAL ZOOM

- ECO MODE FOR 20% ENERGY SAVING
- WEEKLY TIMER, 42 SETTINGS PER WEEK
- 30 M MAXIMUM ELEVATION DIFFERENCE
- EASY CHECK MODE FOR FAILURE DETECTION

CEILING // HEAT PUMP FS TYPE

Full line up of heat pump non-inverter Ceiling, from 2 H.P. to 6.0 H.P., Single-phase and three-phase



OPTIONAL

CEILING // HEAT PUMP FS TYPE

		2.0 H.P.	2.5 H.P.	3.0 H.P.	3.0 H.P.	4.0 H.P.	4.0 H.P.	5.0 H.P.	6.0 H.P.
KIT		KIT-F18DTE5-C	KIT-F24DTE5-C	KIT-F28DTE5-C	KIT-F28DTE8-C	KIT-F34DTE5-C	KIT-F34DTE8-C	KIT-F43DTE8-C	KIT-F50DTE8-C
Indoor		CS-F18DTE5	CS-F24DTE5	CS-F28DTE5	CS-F28DTE5	CS-F34DTE5	CS-F34DTE5	CS-F43DTE5	CS-F50DTE5
Outdoor		CU-B18DBE5	CU-B24DBE5	CU-B28DBE5	CU-B28DBE8	CU-B34DBE5	CU-B34DBE8	CU-B43DBE8	CU-B50DBE8
Wireless control	Included with kit	CZ-RL513T	CZ-RL513T	CZ-RL513T	CZ-RL513T	CZ-RL513T	CZ-RL513T	CZ-RL513T	CZ-RL513T
Wired remote control	Optional	CZ-RD513C	CZ-RD513C	CZ-RD513C	CZ-RD513C	CZ-RD513C	CZ-RD513C	CZ-RD513C	CZ-RD513C
Cooling capacity	Nominal (Min-Max) kW	5.00	6.60	7.30	7.30	10.00	10.00	12.50	13.50
	Nominal (Min-Max) kCal/h	4,300	5,676	6,278	6,278	8,600	8,600	10,750	11,610
EER ¹⁾	Nominal (Min-Max)	2.76 D	2.57 E	2.56 E	2.56 E	2.56 D	2.65 D	2.63 D	2.62 E
Power input Cooling	Nominal (Min-Max) kW	1.81 (1.75-1.84)	2.57 (2.51-2.63)	2.85 (2.8-2.9)	2.85 (2.8-2.9)	3.66 (3.85-3.95)	3.77 (3.72-3.82)	4.75 (4.7-4.8)	5.16 (5.11-5.28)
Heating capacity	Nominal (Min-Max) kW	5.60	7.10	7.80	7.80	11.20	11.20	14.00	15.00
	Nominal (Min-Max) kCal/h	4,816	6,106	6,708	6,708	9,632	9,632	12,040	12,900
COP ¹⁾	Nominal (Min-Max)	3.22 C	2.85 D	2.84 D	2.84 D	2.81 E	2.86 E	2.99 D	2.98 D
Power input Heating	Nominal (Min-Max) kW	1.74 (1.71-1.77)	2.49 (2.44-2.62)	2.75 (2.7-2.8)	2.75 (2.7-2.8)	3.99 (3.94-4.04)	3.91 (3.86-3.96)	4.69 (4.64-4.74)	5.03 (4.98-5.08)
Annual Energy Consumption ²⁾	kWh	905	1285	1425	1425	1950	1885	2375	2580
Indoor unit									
Air Volume	Cooling / Heating m ³ /h	840 / 840	1,020 / 1,020	1,080 / 1,080	1,080 / 1,080	1,740 / 1,740	1,740 / 1,740	1,860 / 1,860	1,920 / 1,920
Moisture removal volume	l/h	2.8	3.8	4.3	4.3	6.0	6.0	7.9	8.6
Sound pressure Level ³⁾	Cooling (Hi / Lo) dB(A)	41 / 37	43 / 39	45 / 41	45 / 41	47 / 43	47 / 43	49 / 45	50 / 46
	Heating (Hi / Lo) dB(A)	41 / 37	43 / 39	45 / 41	45 / 41	47 / 43	47 / 43	49 / 45	50 / 46
Sound power Level	Cooling (Hi) dB	58	60	62	62	64	64	66	67
	Heating (Hi) dB	58	60	62	62	64	64	66	67
Dimensions	Indoor (H x W x D) mm	210 x 1,245 x 700	210 x 1,245 x 700	210 x 1,245 x 700	210 x 1,245 x 700	250 x 1,600 x 700	250 x 1,600 x 700	250 x 1,600 x 700	250 x 1,600 x 700
Net weight	Indoor Kg	33	33	33	33	43	43	47	47
Dust filter	Yes	Yes	Yes	Yes	Yes	Yes	Yes	Yes	Yes
Antiallergic filter	Optional	CZ-SA12P	CZ-SA12P	CZ-SA12P	CZ-SA12P	CZ-SA12P	CZ-SA12P	CZ-SA12P	CZ-SA12P
Outdoor unit									
Power source	V	220 - 240	220 - 240	220 - 240	380 - 415	220 - 240	380 - 415	380 - 415	380 - 415
Connection	mm ²	4 x 1'5 to 2'5	4 x 1'5 to 2'5	4 x 1'5 to 2'5	4 x 1'5 to 2'5	4 x 1'5 to 2'5	4 x 1'5 to 2'5	4 x 1'5 to 2'5	4 x 1'5 to 2'5
Current Cooling	Nominal (Min / Max) A	8.1	12.6	12.9	4.9	18.2	6.1	8.0	8.6
Current Heating	Nominal (Min / Max) A	7.75	12.6	13.0	4.7	18.2	6.4	7.8	8.0
Air Volume	Cooling / Heating m ³ /h	3,420	3,600	3,780	3,780	5,640	5,640	5,640	5,760
Sound pressure Level ³⁾	Cooling (Hi) dB(A)	49	50	52	52	55	55	56	56
	Heating (Hi) dB(A)	50	51	53	53	56	56	57	57
Sound power Level	Cooling (Hi) dB	65	66	67	67	69	69	70	70
	Heating (Hi) dB	66	67	68	68	70	70	71	71
Dimensions	H x W x D mm	795 x 900 x 320	795 x 900 x 320	795 x 900 x 320	795 x 900 x 320	1,170 x 900 x 320	1,170 x 900 x 320	1,170 x 900 x 320	1,170 x 900 x 320
Net weight	Kg	57	69	69	69	102	100	102	102
Piping connections	Liquid pipe inch (mm)	1/4" (6.35)	3/8" (9.52)	3/8" (9.52)	3/8" (9.52)	3/8" (9.52)	3/8" (9.52)	3/8" (9.52)	3/8" (9.52)
	Gas pipe inch (mm)	1/2" (12.70)	5/8" (15.88)	5/8" (15.88)	5/8" (15.88)	5/8" (15.88)	5/8" (15.88)	5/8" (15.88)	5/8" (15.88)
Refrigerant Loading	R410A Kg	1.35	1.7	2.05	2.05	2.7	2.7	3.1	3.4
Elevation difference (in/out) ⁴⁾	Max m	20	30	30	30	30	30	30	30
Piping length	Min - Max m	7.5 - 30	7.5 - 50	7.5 - 50	7.5 - 50	7.5 - 50	7.5 - 50	7.5 - 50	7.5 - 50
Piping length without refrigerent increase	Max m	20	30	30	30	30	30	30	30
Additional gas	g/m	20	50	50	50	50	50	50	50
Operating range ³⁾	Cooling Min / Max °C	-10 / 43	-10 / 43	-10 / 43	-10 / 43	-10 / 43	-10 / 43	-10 / 43	-10 / 43
	Heating Min / Max °C	-10 / 24	-10 / 24	-10 / 24	-10 / 24	-10 / 24	-10 / 24	-10 / 24	-10 / 24

GLOBAL REMARKS	Rating conditions	
	Inside air temperature	Cooling 27°C DB / 19°C WB Heating 20°C DB
	Outside air temperature	35°C DB / 24°C WB 7°C DB / 6°C WB

DB: Dry bulb, WB: Wet bulb

- 1) EER and COP, Energy Saving Classification, is at 220 - 240V (380 - 415V) in accordance with EU directive 2002/31/EC.
- 2) The annual consumption is calculated by multiplying the input power at 220 - 240V (380 - 415V) by an average of 500-hr per year in cooling mode.
- 3) The sound pressure Level of the units shows the value measured of a position 1 meter in front of the main body and 1.5 from the ground. The sound pressure is measured in accordance with Eurovent 6/C006-97 specification.
- 4) When installing the outdoor unit at a higher position than the indoor unit.



CZ-RL513T



CZ-RD513C



CU-B18DBE5
CU-B24DBE5
CU-B28DBE5



CU-B34DBE5
CU-B34DBE8
CU-B50DBE8

KIT-F18DTE5-C // KIT-F24DTE5-C // KIT-F28DTE5-C // KIT-F28DTE8-C //
KIT-F34DTE5-C // KIT-F34DTE8-C // KIT-F43DTE8-C // KIT-F50DTE8-C

HEALTHY AIR

- Anti-Mould long life air filter
- CZ-SA12P Allergu-buster antiallergic filter (optional)

ENERGY EFFICIENCY AND ECOLOGY

- R410A environmentally friendly refrigerant gas

COMFORT

- Automatic start after a power cut
- Automatic fan operation mode
- Soft dry operation mode
- Automatic air deflector system
- Hot start mode
- Super wide air outlet (100 degrees horizontally)

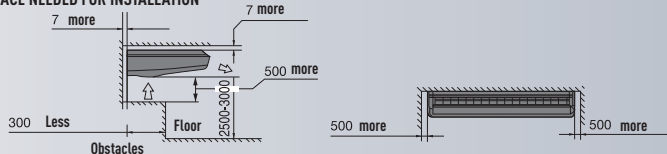
EASE OF USE

- Weekly On/Off timer (6 settings per day and 42 per week)
- Infrared remote control
- Optional wired remote control

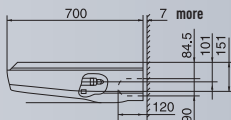
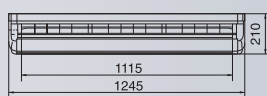
EASY INSTALLATION AND MAINTENANCE

- Self-diagnostic function
- Condensation control

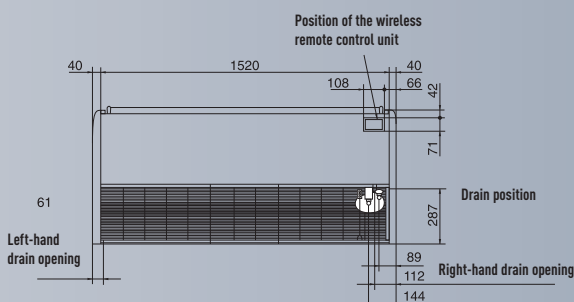
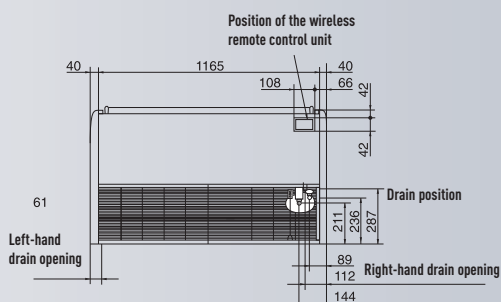
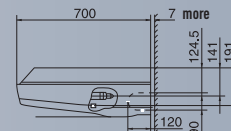
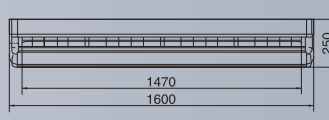
SPACE NEEDED FOR INSTALLATION



INDOOR UNIT DIMENSIONS CS-F18DTE5 // CS-F24DTE5 // CS-F28DTE5



INDOOR UNIT DIMENSIONS CS-F34DTE5 // CS-F43DTE5 // CS-F50DTE5





TECHNICAL ZOOM

- ECO MODE FOR 20% ENERGY SAVING
- WEEKLY TIMER, 42 SETTINGS PER WEEK
- 30 M MAXIMUM ELEVATION DIFFERENCE
- EASY CHECK MODE FOR FAILURE DETECTION

CEILING // COOLING ONLY FS TYPE

Full line up of cooling only non-inverter Ceiling, from 2 H.P. to 6.0 H.P., Single-phase and three-phase



OPTIONAL

CEILING // COOLING ONLY FS TYPE

		2.0 H.P.	2.5 H.P.	2.5 H.P.	3.0 H.P.	3.0 H.P.	4.0 H.P.	4.0 H.P.	5.0 H.P.	6.0 H.P.	
KIT		KIT-F18DTE5-F	KIT-F24DTE5-F	KIT-F24DTE8-F	KIT-F28DTE5-F	KIT-F28DTE8-F	KIT-F34DTE5-F	KIT-F34DTE8-F	KIT-F43DTE8-F	KIT-F50DTE8-F	
Indoor		CS-F18DTE5	CS-F24DTE5	CS-F24DTE5	CS-F28DTE5	CS-F28DTE5	CS-F34DTE5	CS-F34DTE5	CS-F43DTE5	CS-F50DTE5	
Outdoor		CU-J18DBE5	CU-J24DBE5	CU-J24DBE8	CU-J28DBE5	CU-J28DBE8	CU-J34DBE5	CU-J34DBE8	CU-J43DBE8	CU-J50DBE8	
Wireless control	Included with kit	CZ-RL513T	CZ-RL513T	CZ-RL513T	CZ-RL513T	CZ-RL513T	CZ-RL513T	CZ-RL513T	CZ-RL513T	CZ-RL513T	
Wired remote control	Optional	CZ-RD513C	CZ-RD513C	CZ-RD513C	CZ-RD513C	CZ-RD513C	CZ-RD513C	CZ-RD513C	CZ-RD513C	CZ-RD513C	
Cooling capacity	Nominal (Min-Max)	kW	5.00	6.60	6.60	7.30	7.30	10.00	10.00	12.50	13.50
	Nominal (Min-Max)	kCal/h	4,300	5,676	5,676	6,278	6,278	8,600	8,600	10,750	11,610
EER ¹⁾	Nominal (Min-Max)		2.76 D	2.51 E	2.51 E	2.56 E	2.56 E	2.49 E	2.57 E	2.56 E	2.56 E
Power input Cooling	Nominal (Min-Max)	kW	1.81 (1.75-1.84)	2.63 (2.58-2.68)	2.63 (2.58-2.68)	2.85 (2.8-2.9)	2.85 (2.8-2.9)	4.02 (3.97-4.07)	3.99 (3.84-3.94)	3.99 (3.84-3.94)	5.28 (5.23-5.33)
Annual Energy Consumption ²⁾		kWh	905	1.315	1.315	1.425	1.425	2.010	1.945	2.445	2.640
Indoor unit											
Air Volume		m ³ /h	840	1,020	1,020	1,080	1,080	1,740	1,740	1,860	1,920
Moisture removal volume		l/h	2.8	3.8	3.8	4.3	4.3	6.0	6.0	7.9	8.6
Sound pressure Level ³⁾	Hi / Lo	dB(A)	41 / 37	43 / 39	43 / 39	45 / 41	45 / 41	47 / 43	47 / 43	49 / 45	50 / 46
Sound power Level	Hi	dB	58	60	60	62	62	64	64	66	67
Dimensions	Indoor (H x W x D)	mm	210x1,245x700	210x1,245x700	210x1,245x700	210x1,245x700	210x1,245x700	250x1,600x700	250x1,600x700	250x1,600x700	250x1,600x700
Net weight	Indoor	Kg	33	33	33	33	33	43	43	47	47
Dust filter			Yes	Yes	Yes	Yes	Yes	Yes	Yes	Yes	Yes
Antiallergic filter	Optional		CZ-SA12P	CZ-SA12P	CZ-SA12P	CZ-SA12P	CZ-SA12P	CZ-SA12P	CZ-SA12P	CZ-SA12P	CZ-SA12P
Outdoor unit											
Power source	V		220 - 240	220 - 240	380 - 415	220 - 240	380 - 415	220 - 240	380 - 415	380 - 415	380 - 415
Connection	mm ²		4 x 1'5 to 2'5	4 x 1'5 to 2'5	4 x 1'5 to 2'5	4 x 1'5 to 2'5	4 x 1'5 to 2'5	4 x 1'5 to 2'5	4 x 1'5 to 2'5	4 x 1'5 to 2'5	4 x 1'5 to 2'5
Current Cooling	Nominal (Min / Max)	A	8.1	13.3	4.6	13	4.95	18.5	6.1	8.2	8.6
Air Volume		m ³ /h	3,420	3,600	3,600	3,780	3,780	5,640	5,640	5,640	5,760
Sound pressure Level ³⁾	Hi	dB(A)	49	50	50	52	52	55	55	56	56
Sound power Level	Hi	dB	65	66	66	67	67	69	69	70	70
Dimensions	H x W x D	mm	795x900x320	795x900x320	795x900x320	795x900x320	795x900x320	1,170x900x320	1,170x900x320	1,170x900x320	1,170x900x320
Net weight		Kg	57	69	69	69	69	102	100	102	102
Piping connections	Liquid pipe	inch (mm)	1/4" (6.35)	3/8" (9.52)	3/8" (9.52)	3/8" (9.52)	3/8" (9.52)	3/8" (9.52)	3/8" (9.52)	3/8" (9.52)	3/8" (9.52)
	Gas pipe	inch (mm)	1/2" (12.70)	5/8" (15.88)	5/8" (15.88)	5/8" (15.88)	5/8" (15.88)	5/8" (15.88)	5/8" (15.88)	5/8" (15.88)	5/8" (15.88)
Refrigerant Loading	R410A	Kg	1.35	1.7	1.7	2.05	2.05	2.7	2.7	3.1	3.4
Elevation difference (in/out) ⁴⁾	Max	m	20	30	30	30	30	30	30	30	30
Piping length	Min - Max	m	7.5 - 30	7.5 - 50	7.5 - 50	7.5 - 50	7.5 - 50	7.5 - 50	7.5 - 50	7.5 - 50	7.5 - 50
Piping length without refrigerent increase	Max	m	20	30	30	30	30	30	30	30	30
Additional gas		g/m	50	50	50	50	50	50	50	50	50
Operating range ³⁾	Min / Max	°C	-10 / 43	-10 / 43	-10 / 43	-10 / 43	-10 / 43	-10 / 43	-10 / 43	-10 / 43	-10 / 43

GLOBAL REMARKS	Rating conditions	Cooling
	Inside air temperature	27°C DB / 19°C WB
	Outside air temperature	35°C DB / 24°C WB

DB: Dry bulb, WB: Wet bulb

1) EER, Energy Saving Classification, is at 220 - 240V (380 - 415V) only in accordance with EU directive 2002/31/EC.

2) The annual consumption is calculated by multiplying the input power at 220 - 240V (380 - 415V) by an average of 500-hr per year in cooling mode.

3) The sound pressure Level of the units shows the value measured of a position 1 meter in front of the main body and 1.5 from the ground.

The sound pressure is measured in accordance with Eurovent 4/C/006-97 specification.

4) When installing the outdoor unit at a higher position than the indoor unit.



CZ-RL513T



CZ-RD513C



CU-J18DBE5
CU-J24DBE5
CU-J24DBE8



CU-J34DBE5
CU-J34DBE8
CU-J50DBE8

KIT-F18DTE5-F // KIT-F24DTE5-F // KIT-F28DTE8-F //
KIT-F28DTE5-F // KIT-F28DTE8-F // KIT-F34DTE5-F //
KIT-F34DTE8-F // KIT-F43DTE8-F // KIT-F50DTE8-F

HEALTHY AIR

- Anti-Mould long life air filter
- CZ-SA12P Alleru-buster antiallergic filter (optional)

ENERGY EFFICIENCY AND ECOLOGY

- R410A environmentally friendly refrigerant gas

COMFORT

- Automatic start after a power cut
- Automatic fan operation mode
- Soft dry operation mode
- Automatic air deflector system
- Hot start mode
- Super wide air outlet (100 degrees horizontally)

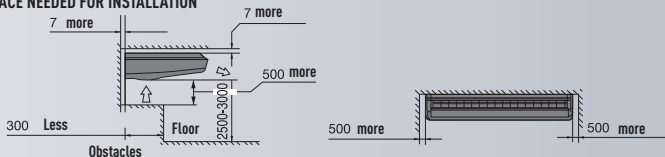
EASE OF USE

- Weekly On/Off timer (6 settings per day and 42 per week)
- Infrared remote control
- Optional wired remote control

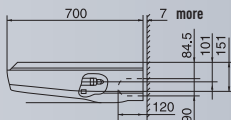
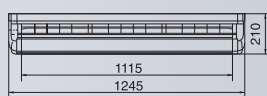
EASY INSTALLATION AND MAINTENANCE

- Self-diagnostic function
- Condensation control

SPACE NEEDED FOR INSTALLATION



INDOOR UNIT DIMENSIONS CS-F18DTE5 // CS-F24DTE5 // CS-F28DTE5



INDOOR UNIT DIMENSIONS CS-F34DTE5 // CS-F43DTE5 // CS-F50DTE5

